



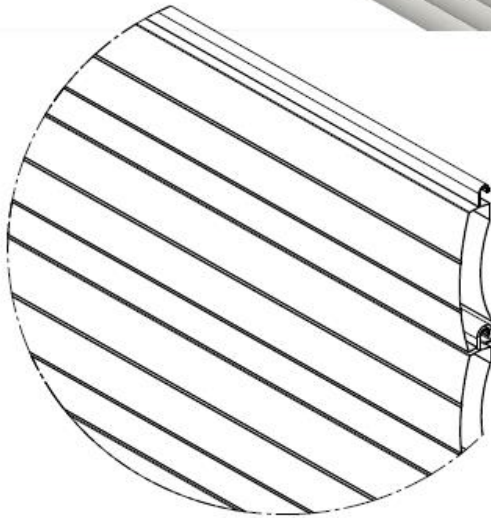
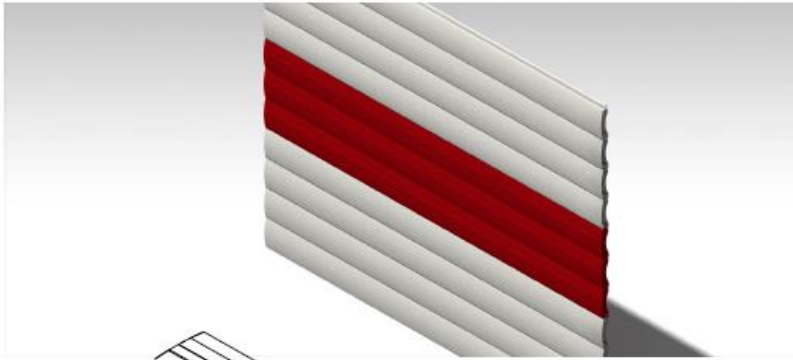
Wuxi LOTOS International Co.,Ltd
ADD: NO 291, GUANGYI RD, CHONG AN DIS, WUXI CHINA
Tel/fax: +86-510-8202 6466

Pu Foam Door Shutter Forming Machine 77 mm

Technical Proposal



1. Profile Drawing



2. Summary

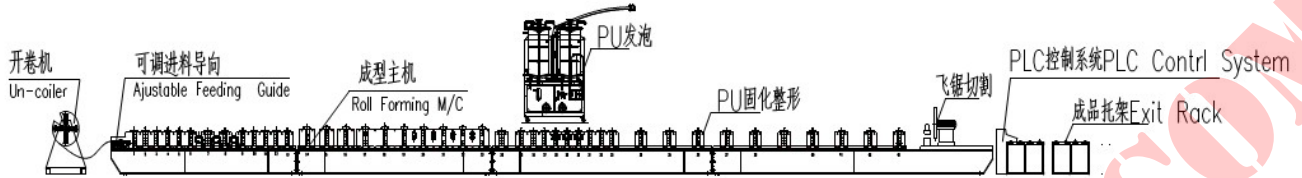
Material: Color Coated Galvanized, Aluminum
Material Thickness: 0.3-0.5mm
Main roll forming machine Power: 11 KW SIEMENS
Forming Speed: 10-12m/min
Feeding width: 229mm
Dimension: 36×1.6×1 m (L*W*H)

3. Main Parts

1. Manual Un coiler
2. Feeding Guide
3. Roll Forming System
4. Foaming machine
5. Servo Cutting unit
6. Control system
7. Output table

4. Working Flowing

Manual Un coiler → Feeding → Roll Forming → Cutting → Output table



5. Technical Data

5.1 Un coiler

Un coiler Type	Manual	
Loading capacity	3Ton	

5.2 Roll Forming system with feed panel unit

Axis Diameter	50 mm	
Forming Roller station	36+1 groups	
Main Axis material	First grade 45# steel heated and quenched	
Roller material	First grade 45# steel, Hard Chrome Coated, heated and quenched	
Pillar size	42*45mm	
Forming Speed	10-12 m/min	
Drive Type	Gear box	
Machine Frame stand	Welded structural steel,	

5.3 Hydraulic Cutting Device		
Cutting type	Servo tracking cutting	
Cutting system power	2.2KW	
Cutting length tolerance	±0.5mm	
5.4 PU Foaming Unit		
PU Foaming Machine	A+B China good brand	
5.5 Electrical System		
PLC system	Japan PANASONIC	
Length Controller	Japan PANASONIC	
Operation	Touch Screen	
Inverter	Japan PANASONIC	
Voltage	380V/50Hz/3P	

5.6 Run-out Table

Table quantity	1 pcs*6m length
Structure	Angle bar welded



5.6 Spare part list

Machine Bearing	2
Machine Chain	2
Electrical Limit switch	2
Machine manual tools	1
Operation manual	1



For further info, please contact with us!